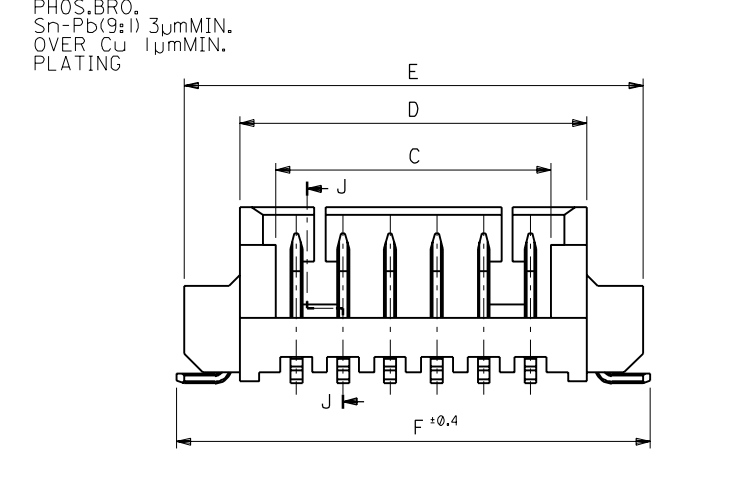
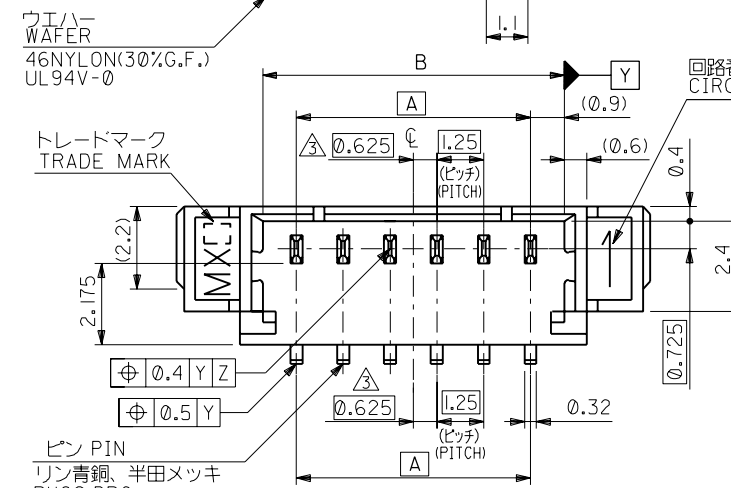
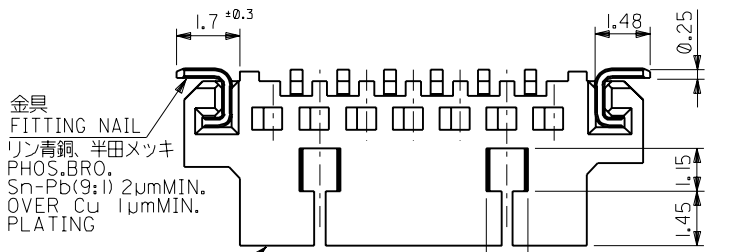


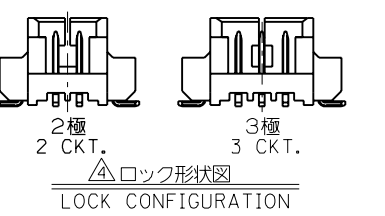
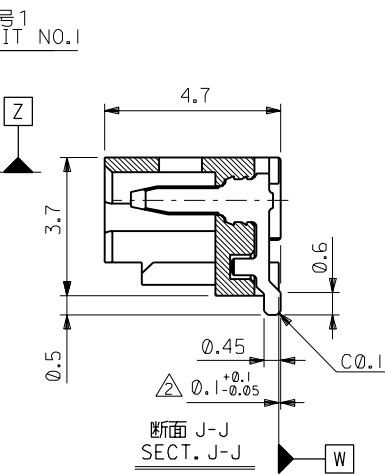
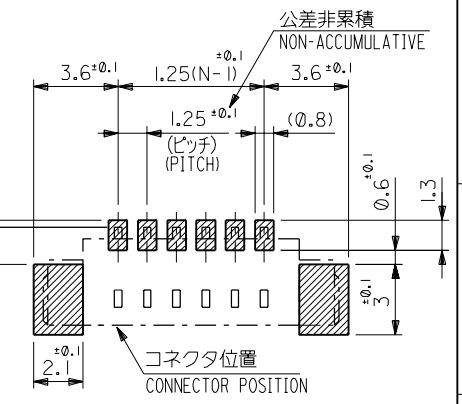
DWG. NO. SD-53398-\*\*-10

DIMENSIONS IN METRIC DO NOT SCALE DRAWING



注記 NOTES

1. 嵌合相手: 51021 シリーズ MATE WITH : 51021 SERIES
- △ 水平面上においての、ウエハー底面 [W] とソルダーテール及びフィッティングネイル底面とのズレ量を示す。  
MISALIGNMENT OF SOLDER TAIL & FITTING NAIL FROM [W]
- △ 偶数極のみ適用。APPLY EVEN CIRCUIT PRODUCTS.
- △ ロック窓は、2、3極は1ヶ所、4極以上は2ヶ所とする。  
LOCKING WINDOW : ONE PLACE FOR 2&3 CKTS.  
TWO PLACES FOR MORE THAN 4 CKTS.



23.9	23.5	20.5	18.6	19.3	17.5	53398-1510	15
22.65	22.25	19.25	17.35	18.05	16.25	↑ -1410	14
21.4	21	18	16.1	16.8	15	↑ -1310	13
20.15	19.75	16.75	14.85	15.55	13.75	↑ -1210	12
18.9	18.5	15.5	13.6	14.3	12.5	↑ -1110	11
17.65	17.25	14.25	12.35	13.05	11.25	↑ -1010	10
16.4	16	13	11.1	11.8	10	↑ -0910	9
15.15	14.75	11.75	9.85	10.55	8.75	↑ -0810	8
13.9	13.5	10.5	8.6	9.3	7.5	↑ -0710	7
12.65	12.25	9.25	7.35	8.05	6.25	↑ -0610	6
11.4	11	8	6.1	6.8	5	↑ -0510	5
10.15	9.75	6.75	4.85	5.55	3.75	↑ -0410	4
8.9	8.5	5.5	3.6	4.3	2.5	↑ -0310	3
7.65	7.25	4.25	2.35	3.05	1.25	↑ -0210	2
F	E	D	C	B	A	ENG. NO.	極数 NO. OF CKTS.

変更 REVISIED	LC2000-0636	K.K.	M.F.	00/3/30
変更 REVISIED	LC800048	H.J.	M.F.	97/7/5
変更 REVISIED	U31030	H.H.	M.F.	93/10/13
変更 REVISIED	U30753	K.T.	H.H.	93/7/29
変更 REVISIED	U30610	K.T.	H.H.	93/6/18
変更 REVISIED	U30230	K.T.	H.H.	93/3/10
新規作成 RELEASED	U20942	K.T.	H.H.	92/10/12
記号 LTR	変更内容 REVISION RECORD	DR. CHK.	日付 DATE	材料 MATERIAL
角度 ANGLE	±3°			図中参照 SEE DRAWING
30以上 OVER	±0.3			仕上げ FINISH
10以上 30未満 OVER	±0.25			適用電線範囲 WIRE RANGE
10未満 OVER	±0.2			被覆外径 INS. RANGE
般公差 TOLERANCES				DRAWN BY '92/10/12 K.TOJO
				CHK'D BY '00/3/30 T.YAMAGUCHI
				APP'D BY '00/3/30 M.FUKUSHIMA
				尺度 SCALE

材料 MATERIAL 図中参照 SEE DRAWING

REVISE ONLY ON CAD SYSTEM

TITLE 名称

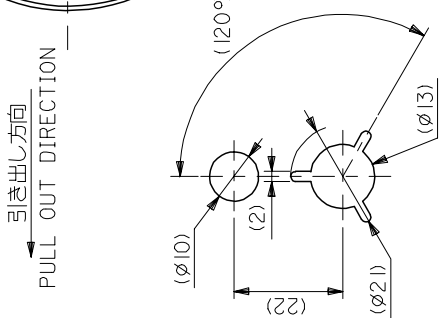
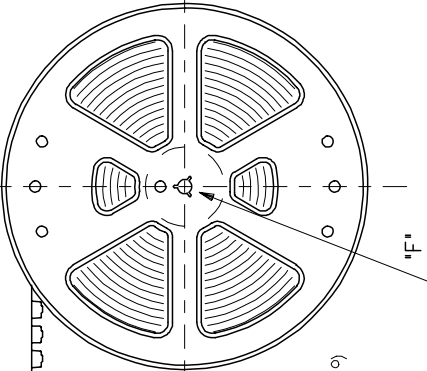
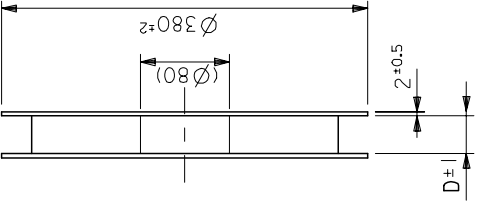
1.25 WIRE TO BOARD CONN. WAFER ASS'Y FOR SMT (ST.)

DWG. NO. SD-53398-\*\*-10

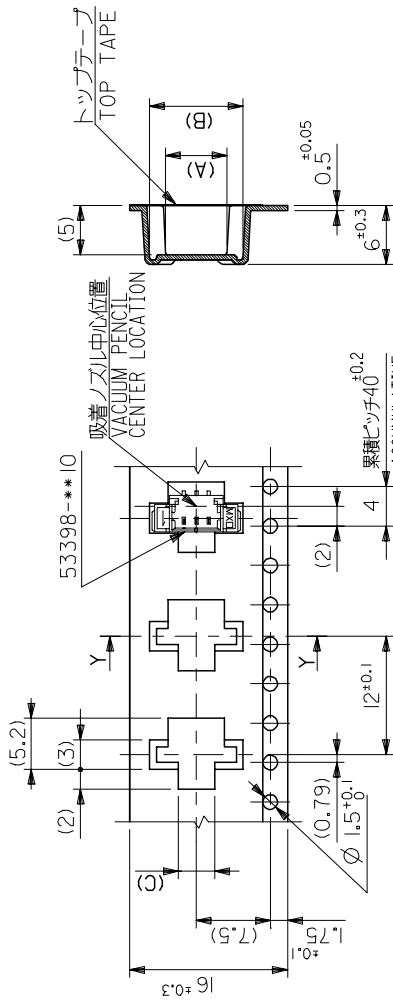
REV F

NOTES

1. 梱包数量: 1,000個/リール  
NUMBER OF CONNECTOR: 1000PCS/REEL
2. リードテープ長さ  
LEAD TAPE LENGTH



DETAIL "F"



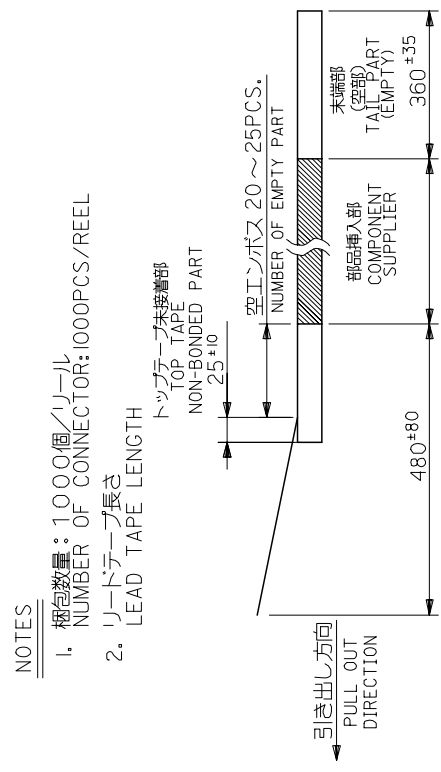
引き出し方向  
PULL OUT DIRECTION

1.6幅テープ  
(TAPE WIDTH: 16)

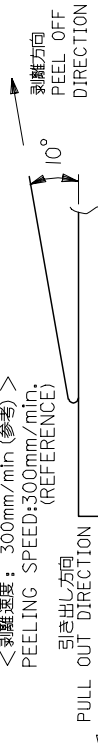
SECT: Y-Y

GENERAL TOLERANCES (UNLESS SPECIFIED)	
10 UNDER	±0.2
10 OVER	±0.25
30 OVER	±0.3
ANGULAR	±3°
DRAFT WHERE APPLICABLE MUST REMAIN WITHIN DIMENSIONS	

REV	DESCRIPTION
F	REVISED
	FC NO. 2004/107/27
	DRW: KERRI GUCH
	CHK: K. ASAKAWA
	APP: S. CHIKAWA
	2004/107/28



3. トップテープの剥離強度: 0.6±0.35N(60±35gf) (剥離方向は下図参照)  
PEELING OFF FORCE OF TOP TAPE: 0.6±0.35N(60±35gf)  
(PEELING DIRECTION IS SHOWN IN FOLLOWING FIG.)

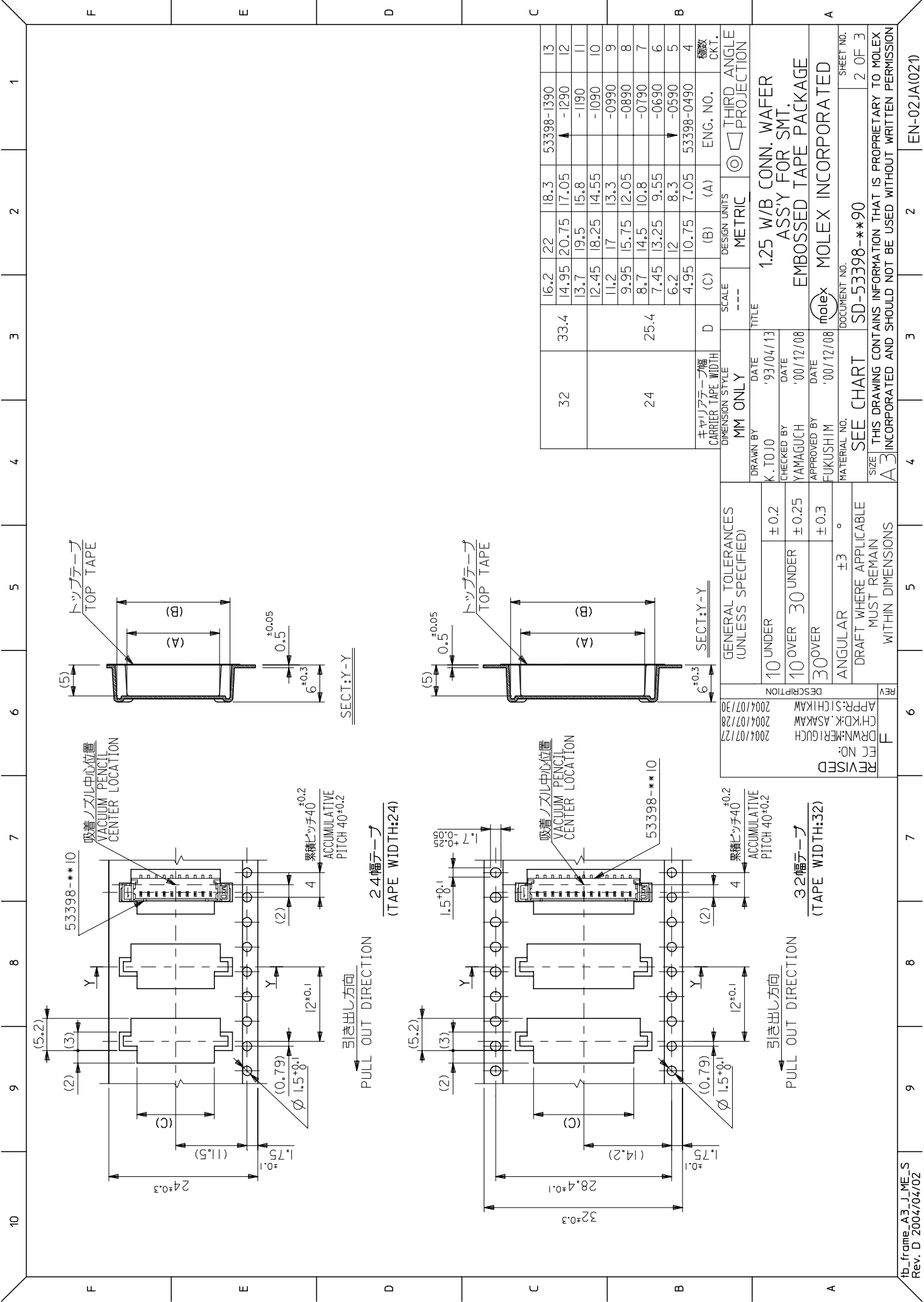


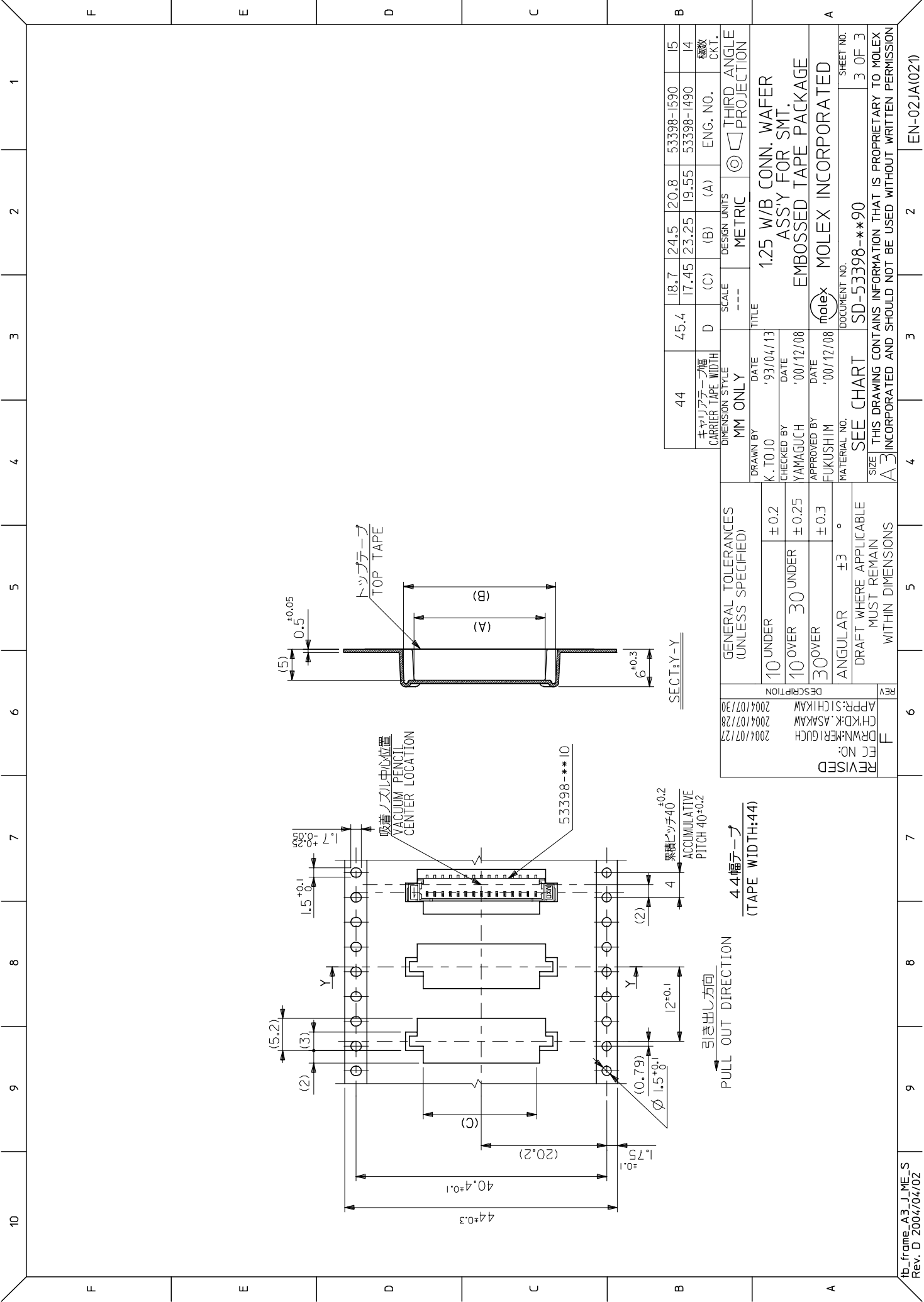
4. 53398-\*\*\*10 の詳細寸法については図面SD-53398-\*\*\*10 を参照下さい。  
RE DETAILED DIMENSIONS, SEE SD-53398-\*\*\*10.

5. 材料 (MATERIAL)  
キャリアテープ (CARRIER TAPE): ポリプロピレン (POLYPROPYLENE)  
トップテープ (TOP TAPE): PET, PE, PEF  
リール (REEL): ポリスチレン (PS) <リサイクル材含む>  
POLYSTYRENE (PS) <RECYCLE MATERIAL CONTAINED>

キヤリアテープ幅 CARRIER TAPE WIDTH	D	(C)	(B)	(A)	ENG. NO.	種数 CKT.
16	17.4	3.7	9.5	5.8	53398-0390	3
		2.45	8.25	4.55	53398-0290	2

MM ONLY	SCALE	DESIGN UNITS	METRIC	THIRD ANGLE PROJECTION
DRAWN BY K. TOJO	DATE '93/04/13	TITLE 1.25 W/B CONN. WAFER ASS'Y FOR SMT.		
CHECKED BY YAMAGUCHI	DATE '00/12/08	EMBOSSED TAPE PACKAGE		
APPROVED BY FUKUSHIMI	DATE '00/12/08	MOLEX INCORPORATED		
MATERIAL NO.	DOCUMENT NO.	SHEET NO.		
SEE CHART	SD-53398-***90	1 OF 3		





PULL OUT DIRECTION  
 44幅テープ  
 (TAPE WIDTH:44)

REV	DESCRIPTION
F	REVISED
E	FC NO.
D	DRWNG:KERRI GUCH 2004/07/27
C	CHKD:K. ASAKAW 2004/07/28
B	APP: S. CHIKAW 2004/07/30

GENERAL TOLERANCES (UNLESS SPECIFIED)	
10 UNDER	$\pm 0.2$
10 OVER	$\pm 0.25$
30 OVER	$\pm 0.3$
ANGULAR	$\pm 3^\circ$
DRAFT WHERE APPLICABLE MUST REMAIN WITHIN DIMENSIONS	

DRAWN BY	DATE	TITLE
K. TOJO	'93/04/13	1.25 W/B CONN. WAFER ASS'Y FOR SMT.
CHECKED BY	DATE	EMBOSSSED TAPE PACKAGE
YAMAGUCHI	'00/12/08	
APPROVED BY	DATE	
FUKUSHIM	'00/12/08	
MATERIAL NO.	DOCUMENT NO.	
SEE CHART	SD-53398-**-90	
SIZE: THIS DRAWING CONTAINS INFORMATION THAT IS PROPRIETARY TO MOLEX INCORPORATED AND SHOULD NOT BE USED WITHOUT WRITTEN PERMISSION		

44	45.4	18.7	24.5	20.8	53398-1590	15
キャリアテープ幅 CARRIER TAPE WIDTH	D	(C)	(B)	(A)	ENG. NO.	種別 CKT.
MM ONLY	SCALE	DESIGN UNITS	METRIC	THIRD ANGLE PROJECTION		
	---	---				